

SCL SERIES

SCL-GS220

WESTGATE
THE FUTURE IS HERE...AND IT'S QUITE BRIGHT!

Customer Name: _____

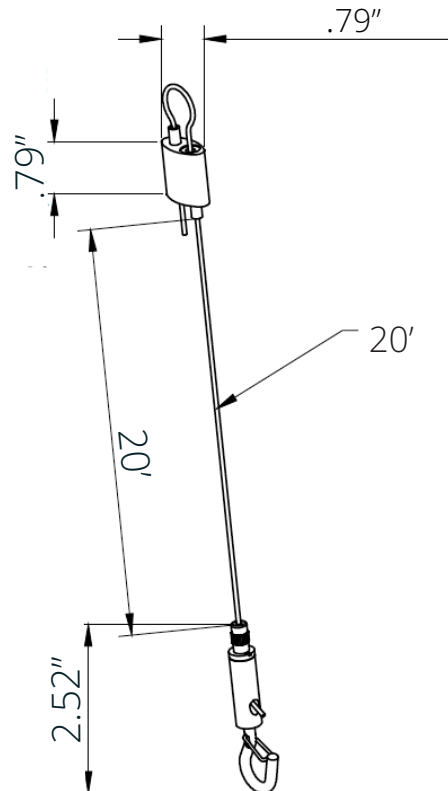
Project Name: _____

Note: _____

Type: _____



HEAVY-DUTY ADJUSTABLE 5/64" 20 FT.
SUSPENSION KIT WITH LOOP GRIPPER
& HOOK(1)



Mechanical:

- Adjustable Steel Aircraft Cable, 20FT Long Max.
- 5/64" Dia. Heavy-Duty Aircraft Cable
- Zinc-Plated Steel Hooks
- Steel Loop Gripper on Top
- Max Load: 200 Lbs.

WESTGATE

Phone: (877) 805-2252 | Fax: (877) 805-2252
www.westgatemfg.com



Related Models:



SCL-GS210

Accessories & Replacement Parts:



SCL-6FT-SJTW18/5
WHITE 6 FT. CORD, SJTW 18 AWG
5-CONDUCT (WH/BK/GN/PU/GY)



SCL-6FT-SJTW18/6
WHITE 6 FT. CORD, SJTW 18 AWG
6-CONDUCT (WH/BK/GN/PU/GY +
RED FOR EMERGENCY))



SCL-12FT-SJTW18/5
WHITE 12 FT. CORD, SJTW 18 AWG
5-CONDUCT (WH/BK/GN/PU/GY)



SCL-12FT-SJTW18/6
WHITE 12 FT. CORD, SJTW 18 AWG
6-CONDUCT (WH/BK/GN/PU/GY +
RED FOR EMERGENCY)



SCL-100FT-SJTW18/5
WHITE 100 FT. CORD, SJTW 18 AWG
5-CONDUCT (WH/BK/GN/PU/GY)



SCL-100FT-SJTW18/6
WHITE 100 FT. CORD, SJTW 18 AWG
6-CONDUCT (WH/BK/GN/PU/GY +
RED FOR EMERGENCY)



SCL-100FT-SJTW18/5-BK
WHITE 100 FT. CORD, SJTW 18 AWG
5-CONDUCT (WH/BK/GN/PU/GY)



SCL-100FT-SJTW18/6-BK
WHITE 100 FT. CORD, SJTW 18 AWG
6-CONDUCT (WH/BK/GN/PU/GY +
RED FOR EMERGENCY)



SCL-6FT-SJTW18/5-BK
WHITE 6 FT. CORD, SJTW 18 AWG
5-CONDUCT (WH/BK/GN/PU/GY)



SCL-6FT-SJTW18/6-BK
WHITE 6 FT. CORD, SJTW 18 AWG
6-CONDUCT (WH/BK/GN/PU/GY +
RED FOR EMERGENCY))



SCL-12FT-SJTW18/5-BK
WHITE 12 FT. CORD, SJTW 18 AWG
5-CONDUCT (WH/BK/GN/PU/GY)



SCL-12FT-SJTW18/6-BK
WHITE 12 FT. CORD, SJTW 18 AWG
6-CONDUCT (WH/BK/GN/PU/GY +
RED FOR EMERGENCY)



SCL-ALG
AUXILIARY LOOP GRIP FOR
AIRCRAFT
SUSPENSION CABLE, 1/16"

